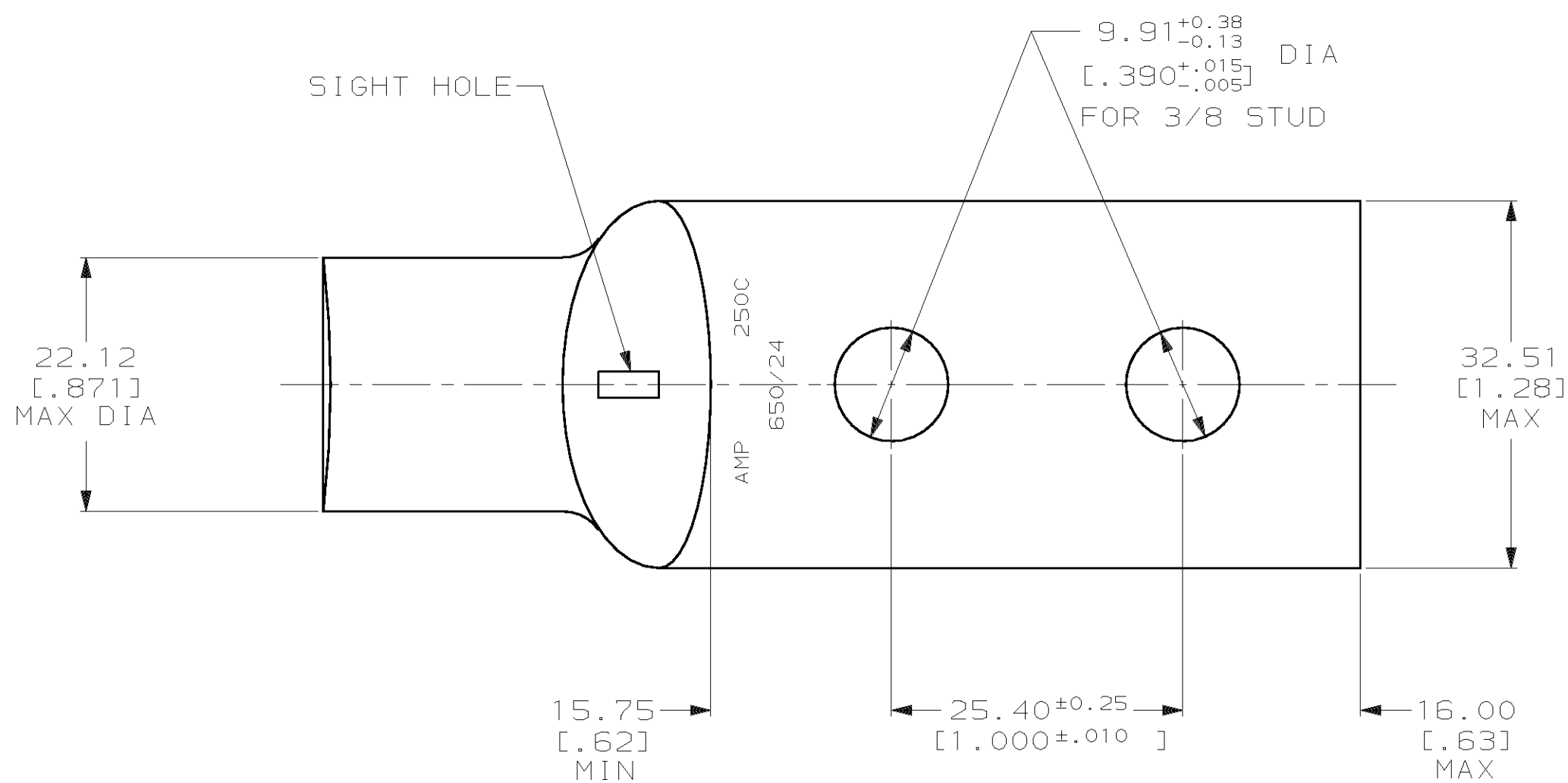
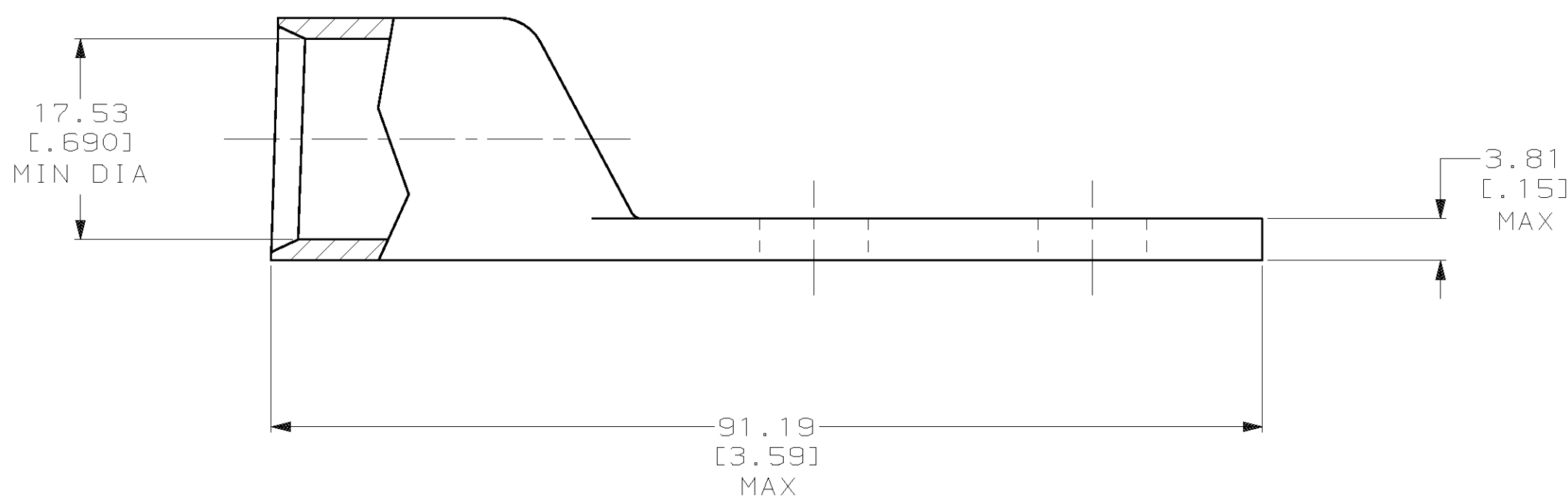


THIS DRAWING IS UNPUBLISHED. RELEASED FOR PUBLICATION, 19 .
 © COPYRIGHT 19 BY AMP INCORPORATED. ALL INTERNATIONAL RIGHTS RESERVED.

LOC		DIST		P		F		ZONE		LTR		REVISIONS			
G		86										DESCRIPTION	DATE	APPD	
												T	TEV PER 0G3A-0561-01	09OCT02	JR/MS



1 CIRCULAR MIL RANGE: 231-275 MCM
 2 TIN PL 0.00381 [.000150] MIN THK PER MIL-T-10727



326804

B

A

326804

PART NO

DO NOT SCALE PRINT.
 UNLESS SPECIFIED
 DIMENSIONS IN mm [INCHES]
 TOLERANCES ON :
 2 PLC DEC ± 0.51 [.020]
 3 PLC DEC ± -
 ANGLES ± -

MATERIAL
 ANNEALED COPPER
 ASTM B-75

FINISH



DR 02/28/90
 DK SCHRUM

CHK 20JAN95
 MS FEHER

APPD 20JAN95
 WJ VOCKROTH

APPD 20JAN95
 TL SHUTTER
 PRODUCT SPEC
 108-30200

APPLICATION SPEC

-

WEIGHT .173 LB

AMP AMP INCORPORATED
 Harrisburg, Pa. 17105

NAME

TERMINAL, AMPPOWER,
 WIRE SIZE: 250 MCM

SIZE

C

CAGE CODE

00779

SCALE

2:1

DRAWING NO

326804

SHEET

1 OF 1

METRIC